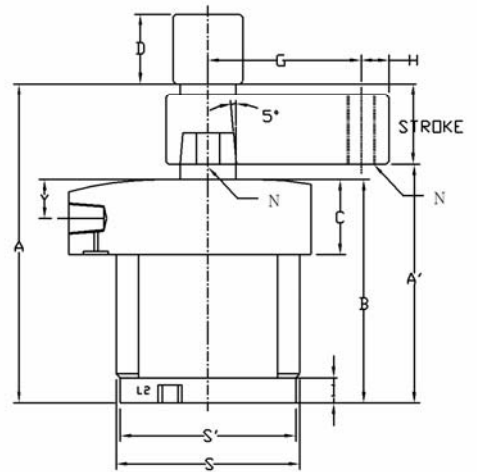
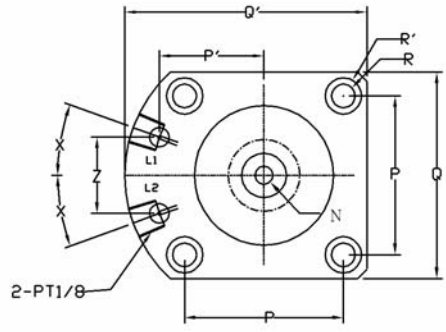
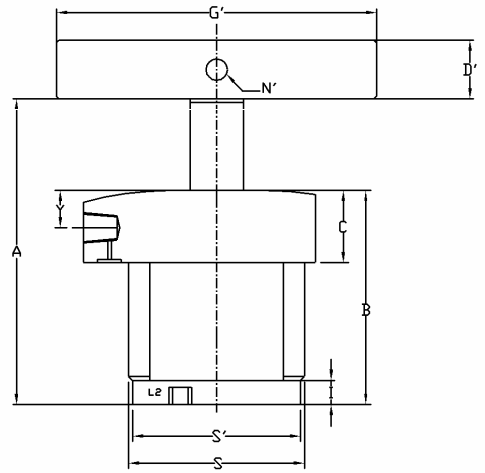
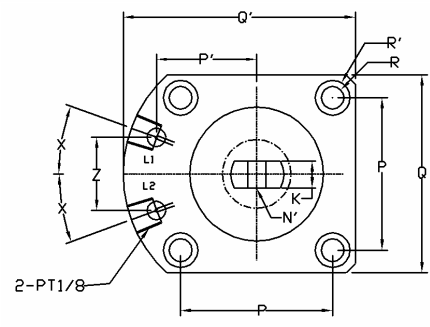




油壓轉角缸夾具 上安裝型式 Upper flange type Hydraulic Swing Clamping Cylinder **max.70 kg/cm²**



NHU series



NHUD series

Ordering example:

NHU	L	-	40	F	X	90°
MODEL NAME	O SWIVEL DIR		PISTON φ			ANGLE
NHU-40	CW-R		40	F--		0°
NHUD-40	CCW-L		50	MANIFOLD		45°
NHU-50	NONSWING-P					60°
NHUD-50						90°

Upper Flange Type	NHU-32 NHUD-32	NHU-40 NHUD-40	NHU-50 NHUD-50	NHU-63 NHUD-63
Max.. Operating Pressure	70kg/cm ²			
Normal Operating pressure	20-45kg/cm ²			
Cylinder Operating	Double Acting			
Max.Oil Flow Rate(cm ² /s)	11.8	22.6	39.6	63.0
Swivel Angle(degree)	90° (0°,45°,60°)			
Swivel Stroke	14	14	14	14
Clamping Stroke	15	15	15	15
Piston Diameter	32	40	50	63
Piston Rod Diameter	20	20	20	25
Theoretical Force(25kg/cm ²)	125kg	200kg	400kg	600kg
A(unclamp)	111	113.6	114.5	118
A'(clamp)	82	84.6	85.5	89
B	76	80	80	85
C	25	27	27	32
D	25.4	25.4	25.4	32
D'	22	22	22	25.4
G	55	55	55	75
G'	120	120	120	140
H	10	10	10	11
I	9	9	9	9
K	10	10	10	12
L1(clamp) + L2(unclamp)	1/8PT	1/8PT	1/8PT	1/8PT
Manifold mounting	S4-O-RING	S4-O-RING	S4-O-RING	S4-O-RING
N	M10x1.5	M10x1.5	M10x1.5	M12x1.75
N'	φ 8	φ 8	φ 8	φ 10
P/P'	44/30	48 / 31.4	57 / 37.6	70/46
Q/Q'	55/68.5	62 / 71.5	74 / 87	88/105.5
R/R'	φ 6.5 / 11	φ 6.5 / 11	φ 8.5 / 14	φ 8.5 / 14
S(mm) Diameter	M50x1.5	M55x1.5	M65x1.5	M80x1.5
S'	49	53	63	77
X(angle)	22.5°	22.5°	20°	22.5°
Y	12.5	14	14	19
Z	24.9	26	27.4	38

UNIT:mm