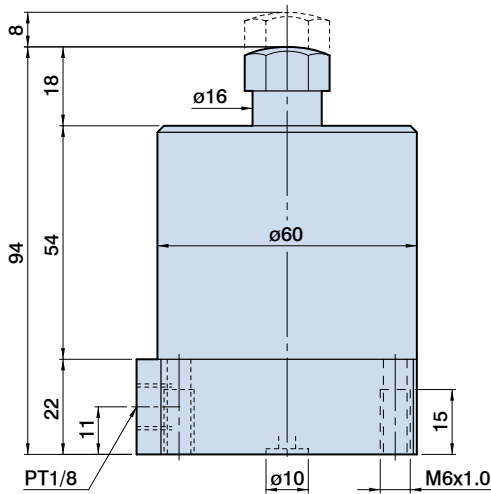
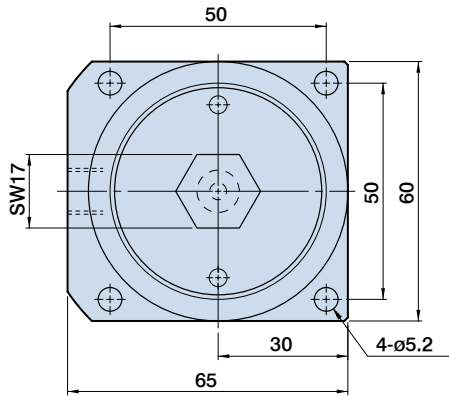


LSP 低油壓支撐缸

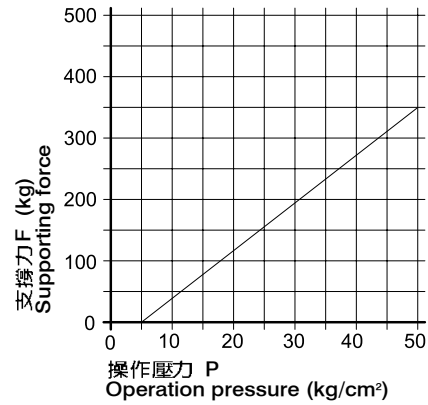


Low Pressure Supporting Cylinder

• Rod: $\phi 16\text{mm}$ • Pmax: 70kg/cm^2



**LSP-16B 油壓頂出型
Hydraulic extended
piston rod**



配管式 Line type	LSP-16B
油路板型 Manifold	LSP-M16B