

## Hydraulic Block Cylinder

## HBC series

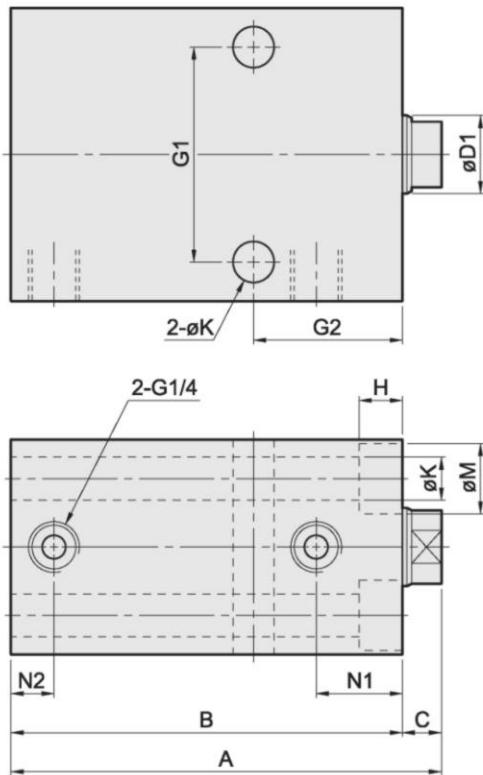
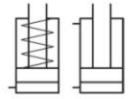
Bore:  $\phi 16$ -  $\phi 40$ mm Pmax:500kg/cm<sup>2</sup>

### 產品說明:

- 本系列油壓缸為德規尺寸, 採用進口油封保證耐壓, 標準化規格, 互換性高。
- 安裝型式為軸向, 側向兩用型, 動作方式分為單動常入型與複動式。

### Application

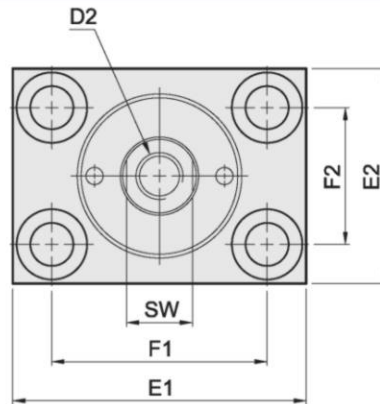
- The series of hydraulic cylinder complies with Germany specifications.  
Employ imported oil seal for outstanding pressure resistance.  
Standardized specifications and full interchangeability.
- Axial and side mounting type, Choice of single and double acting.



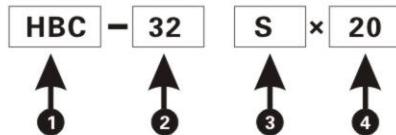
### 理論出力表 Clamping Force

缸體內徑 Bore of cylinder (mm)	活塞杆徑 Piston-rod (mm)	受壓面積 Pressure area(cm <sup>2</sup> )		操作壓力 Operation pressure(kg/cm <sup>2</sup> )			
				100		500	
		F1	F2	F1	F2	F1	F2
$\phi 16$	$\phi 10$	2.01	1.22	201	122	1005	610
$\phi 25$	$\phi 16$	4.91	2.9	491	290	2455	1450
$\phi 32$	$\phi 20$	8.04	4.9	804	490	4020	2450
$\phi 40$	$\phi 25$	12.57	7.66	1257	766	6285	3830

unit 單位: kg



### 訂購標示法: Ordering Code



1	系列別 series	<b>HBC</b>
2	缸體內徑 Bore of cylinder	$\phi 16, \phi 25, \phi 32, \phi 40$ .
3	動作方式 Acting type	S 單動 Single-acting D 雙動 Double-acting
4	標準行程 Standard stroke	請參考尺寸表 Refer to the dimensional table

### Dimensional Table

Bore	Single acting			Double acting			C	D1	D2	SW	E1	E2	F1	F2	G1	G2	H	K	M	N1	N2
	Stroke	A	B	Stroke	A	B															
$\phi 16$	8	62	56	16	62	56	6	10	M6×1.0 12Deep	8	60	35	40	22	30	30	6.5	6.8	11	16.5	11
	20	97	91	50	97	91															
$\phi 25$	8	71	64	20	71	64	7	16	M10×1.5 15Deep	13	65	45	50	30	50	33	9	9	14	18	11
	20	101	94	50	101	94															
$\phi 32$	10	85	75	25	85	75	10	20	M12×1.75 15Deep	17	75	55	55	35	55	38	11	11	18	22	11
	20	110	100	50	110	100															
$\phi 40$	10	89	79	25	89	79	10	25	M16×2.0 25Deep	22	85	63	63	40	63	40	11	11	18	24	11
	20	114	104	50	114	104															

unit 單位: mm