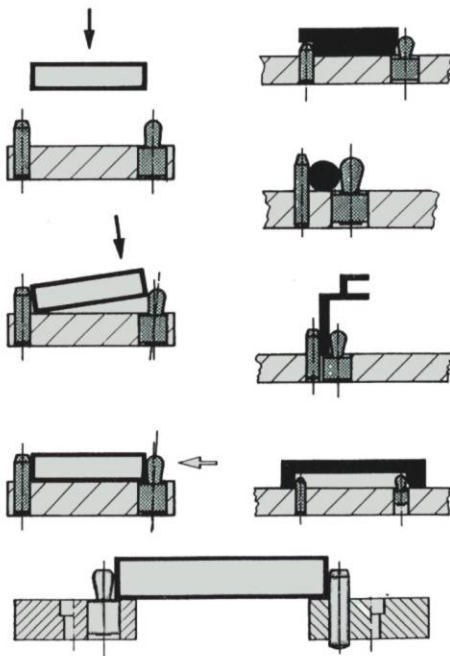


應用實例: Application

Elements of range 3112-1xx are equipped with additional sealing against swarf and coolants and are particularly suitable for its application in the metal cutting machining.



產品說明:

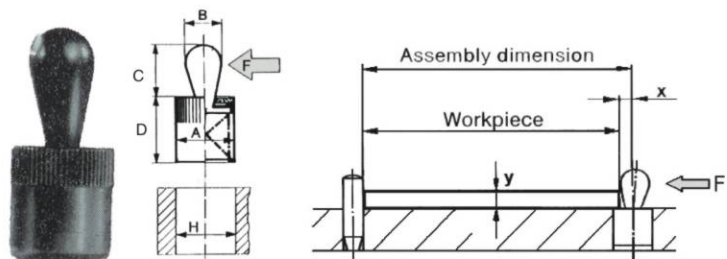
- 本彈簧式定位夾具，具有10N (1Kg) -- 300N (30Kg) 之側壓力，系最經濟、有效且安全快速定位。
- 若考慮其側壓力够時，可視為同時具備定位及側面夾持之雙重功效。
- 安裝注意事項：
- 注意下列規格內“X”之安裝距離，以獲得預期之側壓力。
- 注意版面上“H”之孔徑，如太緊擠入，可導致彈性側壓失效。
- 注意版面上“H”孔盡可能鑽通，以便宜於該定位夾具退出。或調整“C”高度。

General Characteristics

These Spring Clamping Elements are designed for quicker, safer and more economic workpiece positioning and clamping within clamping range of 10-300N.

Function

The clamping force is generated by displacement of a spring-loaded pin. Clamping force and clamping path are indicated in the chart.



SDS 22..	A	B	C	D -0.5	H	F (N)	Y=1.0 X	Y=2.0 X	Y=3.0 X	Y=4.5 X	Y=6.0 X	Y=8.0 X	Y≥10.0 X	(g)	訂購碼 Order code
SDS 22034						10								1	3112-120
SDS 22036	6	3	4	8	6H8	20	0.5	0.6	0.6	0.6	0.6	0.6	0.6	1	3112-121
SDS 22038						40								1	3112-122
SDS 22054						20								2	3112-123
SDS 22056	10	5	6	12	10H8	50		1.2	1.4	1.4	1.4	1.4	1.4	2	3112-124
SDS 22058						100								2	3112-125
SDS 22064						40								2	3112-126
SDS 22066	10	6	10	12	10H8	75				1.2	1.5	1.5	1.5	2	3112-127
SDS 22068						150								2	3112-128
SDS 22084						50								8	3112-129
SDS 22086	12	8	13	14	12H8	100					1.9	2.2	2.2	8	3112-130
SDS 22088						200								8	3112-131
SDS 22104						100								16	3112-132
SDS 22106	16	10	16	18	16H8	200						2.5	2.8	16	3112-133
SDS 22108						300								16	3112-134